

# CARDONE™ ProTech®

Supporting Today's Vehicle Technician

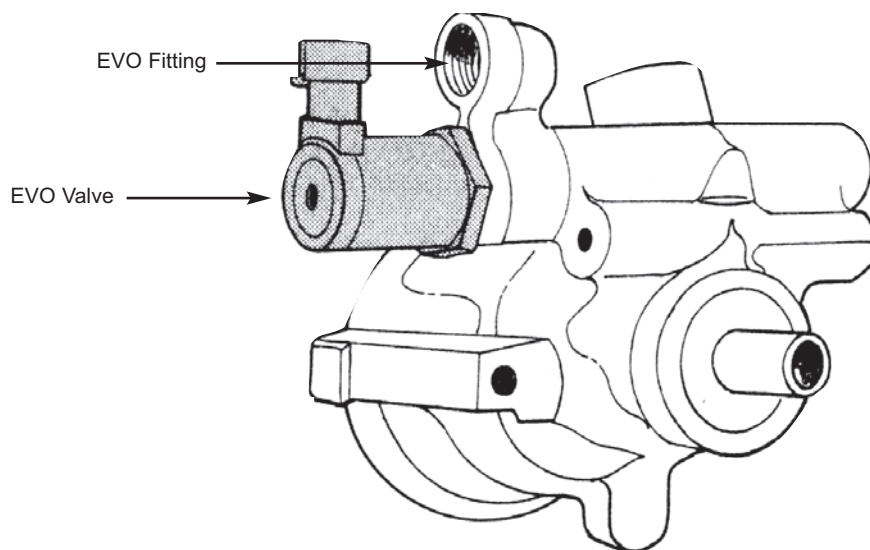


## EVO – Electronic Variable Orifice: What is it?

**Application** All vehicles equipped with speed proportional steering systems.

**Problem** Understanding E.V.O. systems.

**Solution** E.V.O. stands for Electronically Variable Orifice. This component is controlled by an electronic control module that reduces fluid pressure from the power steering pump to the steering gear at highway speeds. Improved high speed handling and road feel is the result.



**Note**

Replacement pumps may require the transfer of the E.V.O. fitting and valve to the replacement unit.